

THERMOHYDRAULICS

STORAGE
HEATING
COOLING
SOLAR

BUTYL DIAPHRAGM +
INSULATED
PROTECTIVE SHEATH =
DOUBLE PROTECTION

STAINLESS STEEL
CONNECTION WITH
OCTAGONAL NUT

DOUBLE
METALLIC CRIMP



DP series

Multifunctional tanks
with fixed butyl diaphragm
and insulated protective sheath

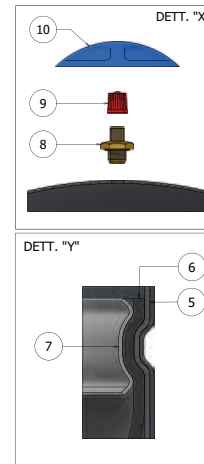




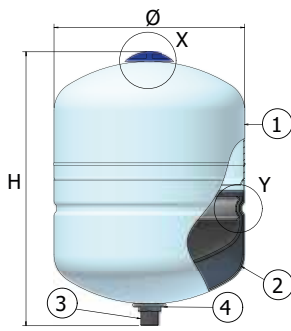
DP



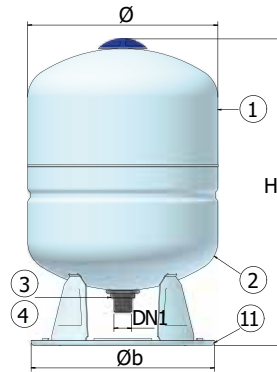
Multifunctional tanks with fixed butyl diaphragm and insulated protective sheath (5 - 500 L)



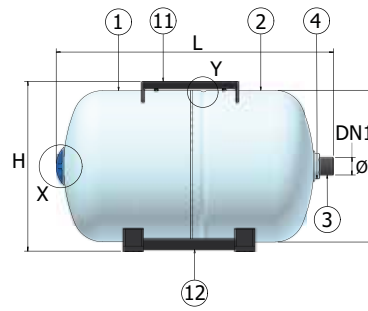
DP 5 - 35



DPV 50 - 500



DPH - CE 18 - 60



LEGENDA

1: Upper head; 2: Lower head; 3: Fitting connection; 4: Self-locking octagonal nut; 5: Butyl protective sheath; 6: Butyl bladder; 7: Bladder fixing ring in carbon steel; 8: Precharge air valve; 9: Valve cap with gasket; 10: Air valve protection; 11: Base; 12: Support saddle.



CE CERTIFIED PRODUCT



FOR DRINKING WATER



FOR SANITARY HOT WATER



FOR HEATING SYSTEMS



FOR AIR CONDITIONING SYSTEMS



FOR PRESSURISATION SYSTEMS



WATER HAMMER ARRESTOR



-10°C / +99°C

P_{MAX}

10 BAR
(DP 24/16: 16 BAR)

P_{PRE}

2.5 BAR

CHARACTERISTICS:

- Fixed bladder and butyl protective sheath.
- Self-locking octagonal nut.
- Bladder fixing ring in carbon steel
- Long lasting epoxy powder paint, white colour.

- Complete separation of the water from the metal parts of the tank.
- Replaceable non-toxic food bladder with elasticity characteristics that allow total expansion inside the tank to ensure better performance and longer life.

REFERENCE STANDARDS:

- Declaration of conformity to essential safety requirements specified in 2014/68/UE Directive
- CE certified

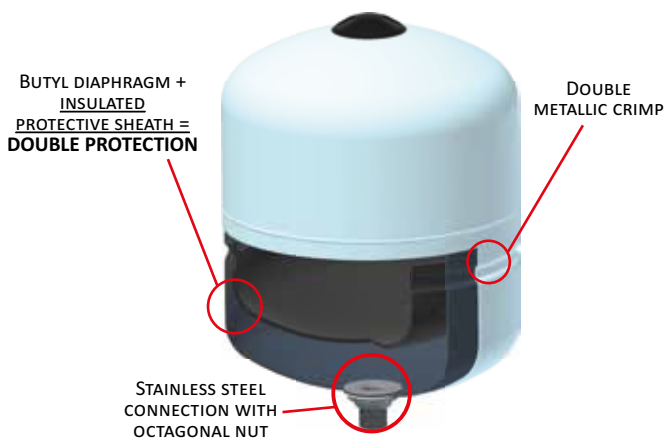
NOTE

In Domestic Hot Water system install expansion tanks in the cold water supply pipe (do not install in the hot water drawoff pipe)

DIMENSIONS

MODEL	CODE	CAP. litri	P _{PRE} bar	P _{MAX} bar	Ø mm	H mm	L mm	Øb mm	N mm	DN1	Pz x PIt	BOX mm	Note
DP 5	A2C2L11 V0020	5	2.5	10	205	225	-	-	-	G¾"	200	215 x 215 x 245	
DP 8	A2C2L16 V0020	8	2.5	10	205	290	-	-	-	G¾"	150	215 x 215 x 305	
DP 11	A2C2L19 V0020	11	2.5	10	270	305	-	-	-	G¾"	96	280 x 280 x 325	
DP 18	A2C2L24 V0020	18	2.5	10	270	400	-	-	-	G¾"	64	280 x 280 x 420	
DP 24	A2C2L27 00270	24	2.5	10	270	500	-	-	-	G1"	36	280 x 280 x 520	
DP 24 /16	A2C2R27 V0020	24	2.5	16	270	500	-	-	-	G1"	36	280 x 280 x 520	
DP 35	A2C2L31 V0020	35	2.5	10	400	400	-	-	-	G1"	30	415 x 415 x 430	
DPH 20	A2E2L25 V0020	20	2.5	10	270	285	440	-	-	G1"	36	315 x 315 x 460	
DPH 20 att. 3/4"	A2F2L25 V0020	20	2.5	10	270	305	440	-	-	G¾"	-	315 x 315 x 460	
DPH 24	A2E2L27 V0020	24	2.5	10	270	305	500	-	-	G1"	36	315 x 315 x 520	
DPH 24 att. 3/4"	A2F2L27 V0020	24	2.5	10	270	305	500	-	-	G¾"	-	315 x 315 x 520	
DPH 60	A2E2L35 V0020	60	2.5	10	400	440	630	-	-	G1"	12	660 x 465 x 470	
DPV 50	A2C2L34 V0020	50	2.5	10	400	565	-	330	68	G1"	18	415 x 415 x 590	
DPV 80	A2C2L37 V0020	80	2.5	10	400	820	-	330	68	G1"	15	415 x 415 x 835	
DPV 100	A2C2L38 V0020	100	2.5	10	500	740	-	330	67	G1"¼	8	515 x 515 x 755	
DPV 150	A2C2L43 V0020	150	2.5	10	500	950	-	330	67	G1"¼	8	515 x 515 x 965	
DPV 200	A2C2L47 V0020	200	2.5	10	600	1025	-	485	107	G1"¼	4	615 x 615 x 1045	
DPV 300	A2C2L51 V0020	300	2.5	10	650	1190	-	485	98	G1"¼	2	665 x 665 x 1205	
DPV 500	A2C2L55 V0020	500	2.5	10	775	1335	-	485	108	G1"¼	2	790 x 790 x 1350	

MORE INFO ABOUT DP



ADVANTAGES:

- Double protection (Bladder + Butyl protective sheath);
- Stainless steel connection for maximum water healthiness;
- Self-locking octagonal nut for easy installation;
- Double metallic crimp;
- NO MAINTENANCE.

MULTIFUNCTIONAL TANKS WITH FIXED-BLADDER AND PROTECTIVE SHEATH

Multifunctional sanitary vessels with fixed bladder are designed to be fitted both as expansion tanks into sanitary systems, suitable to absorb the water expansion volume generated by a changing temperature, as well as pressure tanks for cold water sanitary systems.

Both applications are possible thanks to the protective sheath with patented crimping system that ensures the protection against corrosion of the inner surface of the tank and suitability for contact with domestic water..



cod. 8109462 V3000 - 202503

Elbi S.p.A.
Headquartes and
main plant:

C.P. 103 - Via Buccia, 9
35010 LIMENA (PD)
ITALY
Tel +39-049-8840677
Fax +39-049-8841610

**Plant and warehouse
in Modugno:**

Via delle Magnolie, 19
70026 MODUGNO (BA)
ITALY
Tel +39-080-5316843

Elbi of America, Inc
Houston, TX 77032

Tel. 001 (713) 674-2900
www.elbiofamerica.com

Anaheim, CA 92806
Tel. 001 (800) 242-7769

Pottstown, PA 19464
Tel. 001 (484) 752-4415

www.elbi.it
info@elbi.it

